



ΔOLU

CERAMIC

encourages you to
“Live It On”

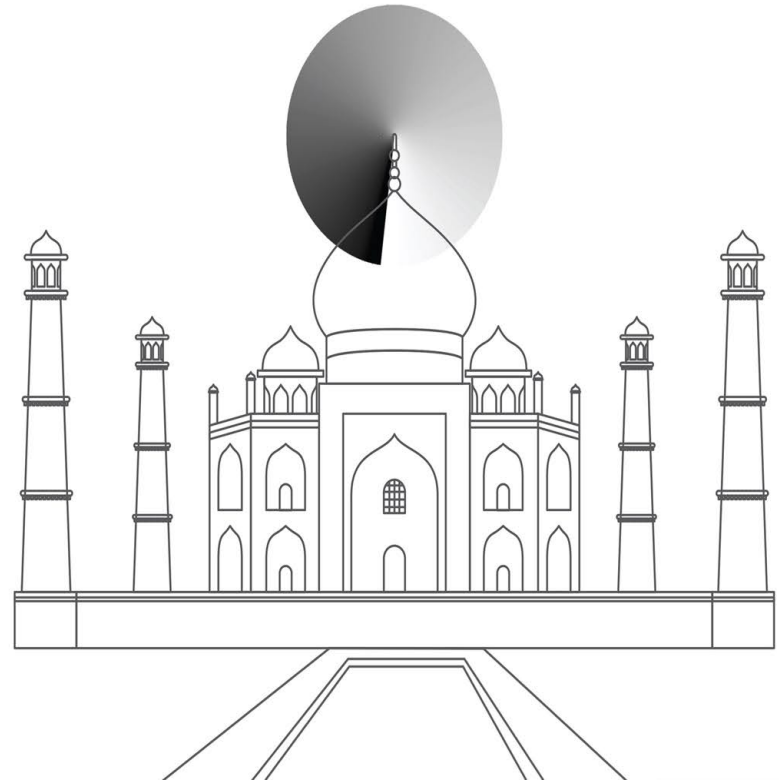




“Art is born of the
observation
and investigation
of nature.”

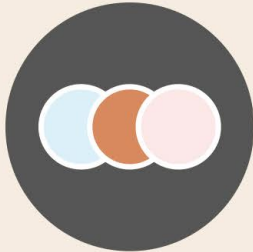
About Us

AQLU ceramic is large scale of tiles manufacturer in india. Past 10 years we have been an established and popular company with an excellent track record for the best customer satisfaction. AQLU reflects your personality.





INDOOR/
OUT DOOR



AVAILABLE IN
ALL COLOUR



COMPOSITE



SEAMLESS
COLOUR

IN THE FIELD OF INTERIOR & EXTERIOR 3D WALL

Decoration

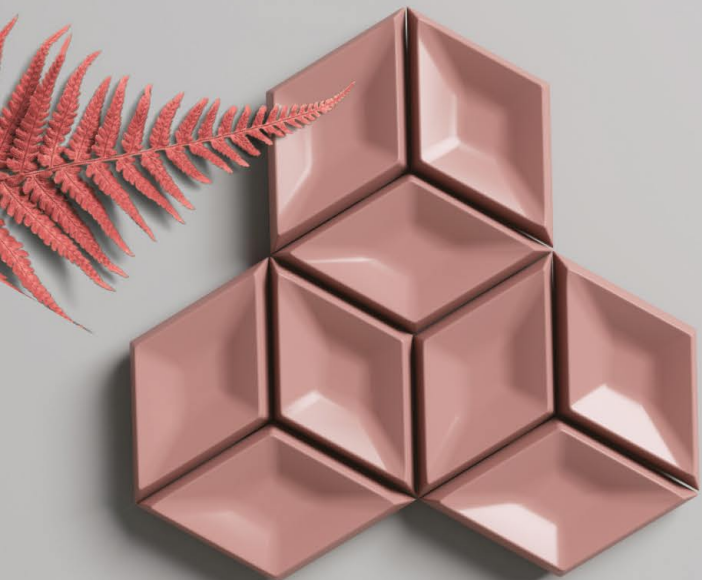
IN THE FIELD OF INTERIOR DECORATION,

paying attention to changes and new trends in contemporary life is becoming increasingly vital, as it must be regularly updated and adapted to new norms and needs. introducing the new wall décor for all of your every space.

THE SEAMLESS COATING FOR YOUR WALL

Monochrome, natural, and vivid color and texture allow you to make a big impression!





GEMSTONE

Decorative
Wall Panel

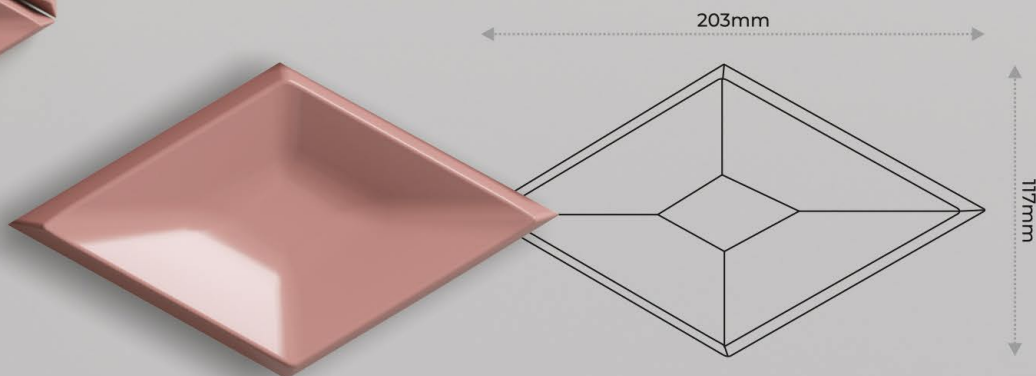
Thickness
23mm

Depth
16mm

Size
117x203mm

Weight/Pcs.
270 (Grams)

Pcs./Box
02



AQLU
CERAMIC

Pcs./Sq.ft. (Approx)	Weight/Box	Sq.ft./Box	Master Box Weight
08	540 (Grams)	08.25	18.3 (Kg.)



Colour
Palettes



Light
Weight



Hand-
made



Eco
Friendly

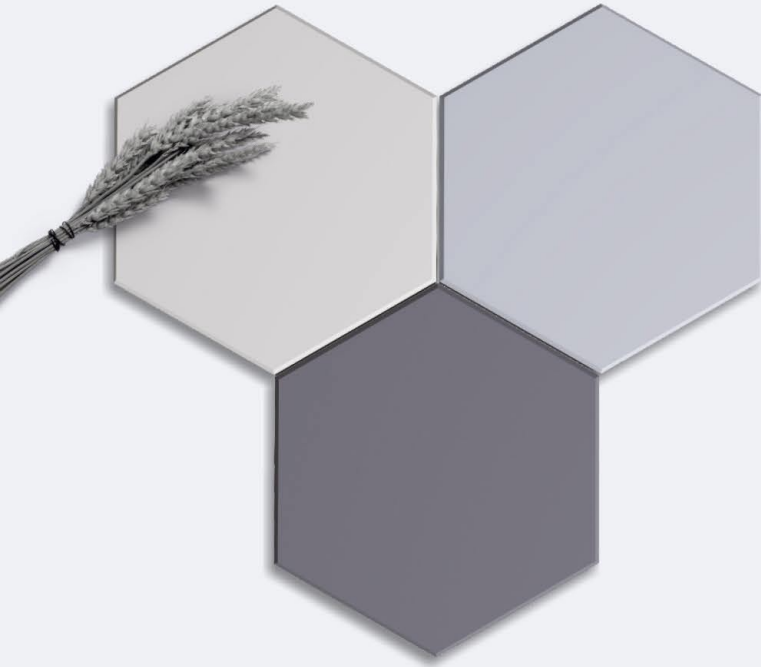


Temperature
Resists

CHEERFUL
LUXURY



Desing Name
GEMSTONE



FLAT

Decorative
Wall Panel

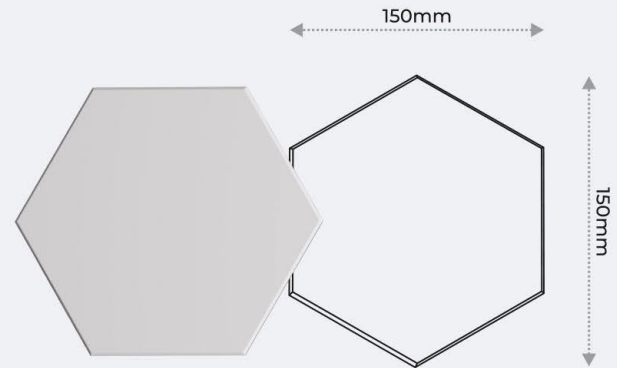
Size
150x150mm

Thickness
09mm

Weight/Pcs.
280 (Grams)

Depth
02mm

Pcs./Box
03



AQLU
CERAMIC

Pcs./Sq.ft. (Approx)	Weight/Box	Sq.ft./Box	Master Box Weight
05/01.04	840 (Grams)	12.6	17 (Kg.)



Colour
Palettes



Light
Weight



Hand-
made



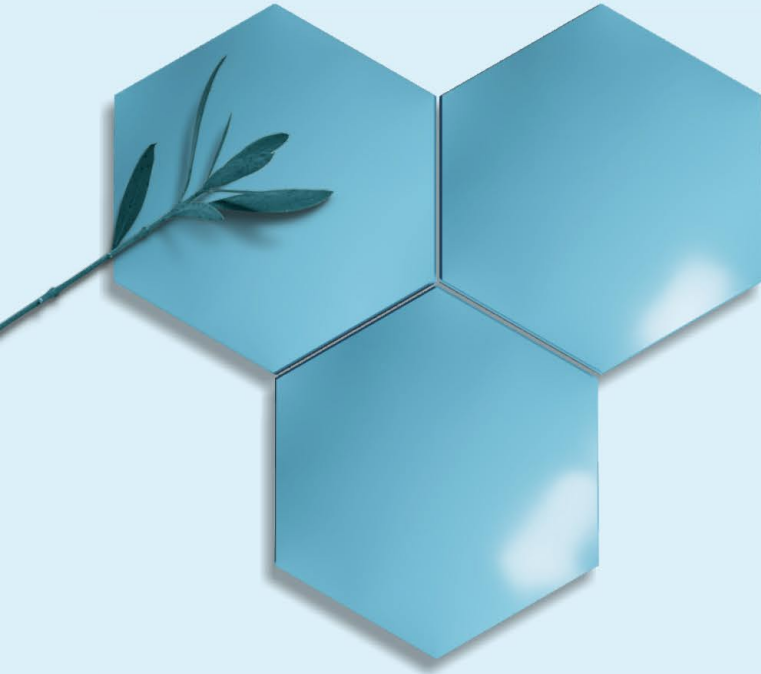
Eco
Friendly



Temperature
Resists

IMPRESSIVE
CHARM





FLAT ROUND

Decorative
Wall Panel

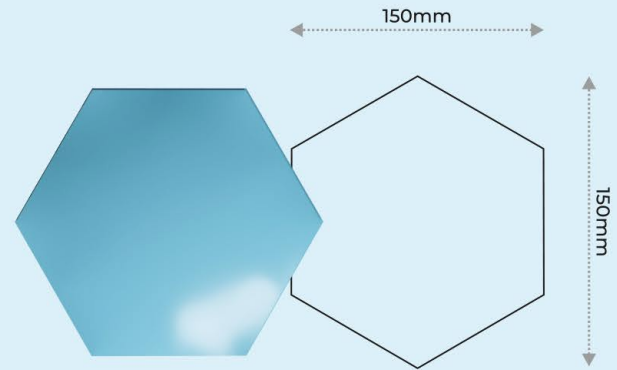
Size
150x150mm

Thickness
21mm

Weight/Pcs.
380 (Grams)

Depth
17mm

Pcs./Box
02



AQLU
CERAMIC

Pcs./Sq.ft. (Approx)	Weight/Box	Sq.ft./Box	Master Box Weight
05/01.04	760 (Grams)	08.4	15.5 (Kg.)



Colour
Palettes



Light
Weight



Hand-
made



Eco
Friendly

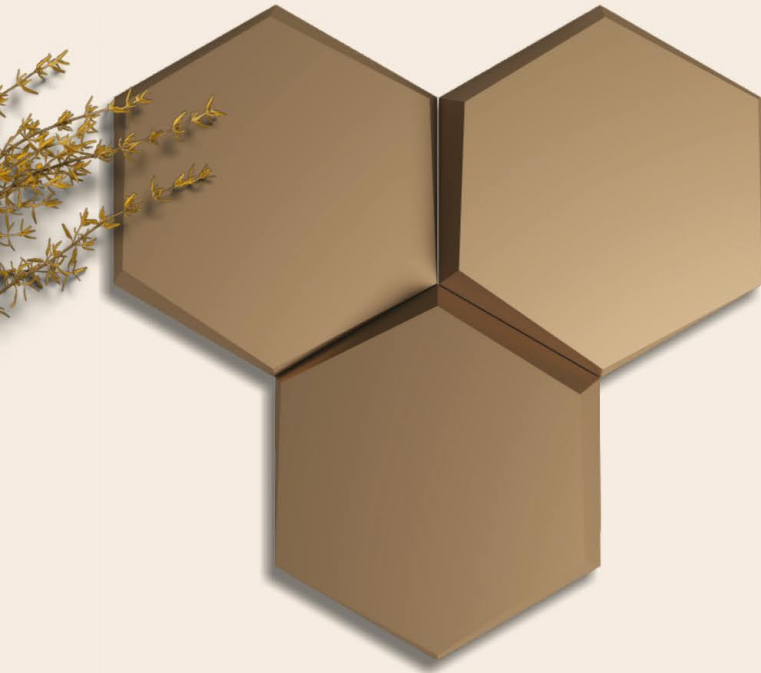


Temperature
Resists

MODERN
ARTISTRY



Desing Name
FLAT ROUND



GLACIER

Decorative
Wall Panel

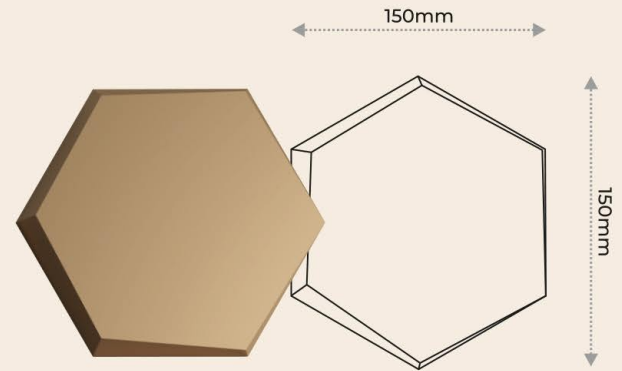
Size
150x150mm

Thickness
20.9mm

Weight/Pcs.
420 (Grams)

Depth
13.9mm

Pcs./Box
02



AQLU
CERAMIC

Pcs./Sq.ft. (Approx)	Weight/Box	Sq.ft./Box	Master Box Weight
05/01.04	840 (Grams)	10.08	20.5 (Kg.)



Colour
Palettes



Light
Weight



Hand-
made



Eco
Friendly

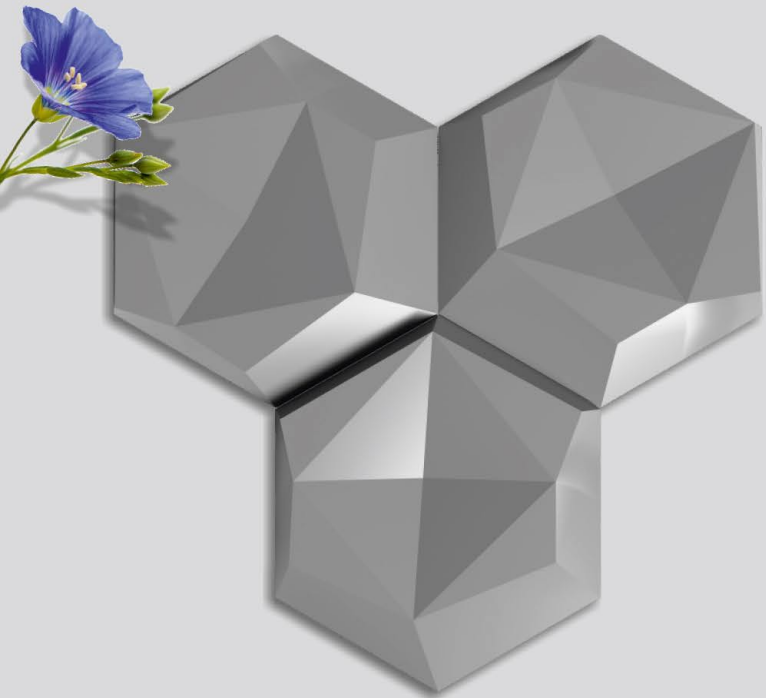


Temperature
Resists

TIMELESS
BEAUTY



Desing Name
GLACIER



RADIANT

Decorative
Wall Panel

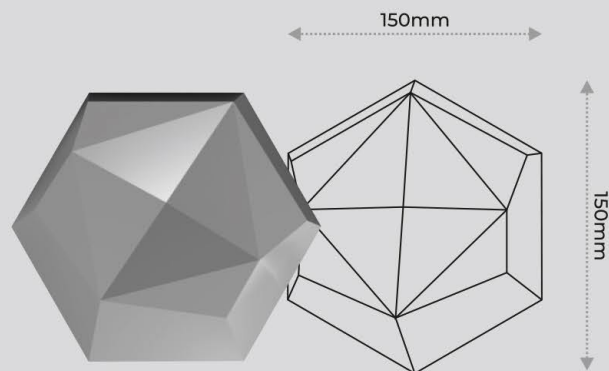
Size
150x150mm

Thickness
20.8mm

Weight/Pcs.
500 (Grams)

Depth
13.8mm

Pcs./Box
02



AQLU
CERAMIC

Pcs./Sq.ft. (Approx)	Weight/Box	Sq.ft./Box	Master Box Weight
05/01.04	1000 (Grams)	08.4	20.5 (Kg.)



Colour
Pallets



Light
Weight



Hand-
made



Eco
Friendly

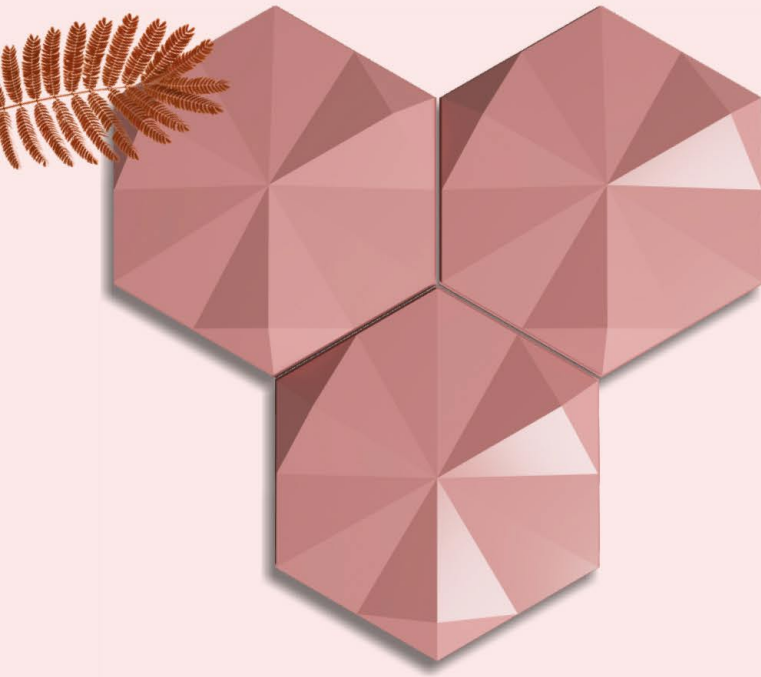


Temperature
Resists

STUNNING
ELEMENTS



Desing Name
RADIANT



ATTIC

Decorative
Wall Panel

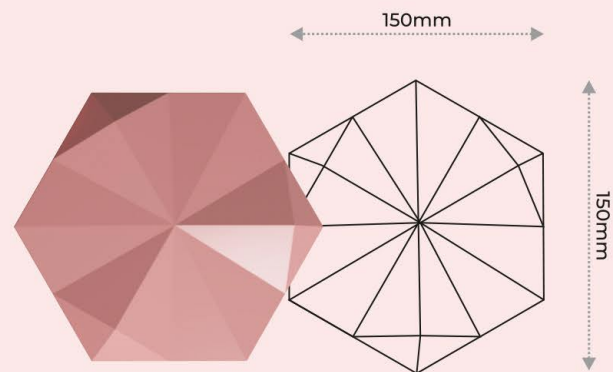
Size
150x150mm

Thickness
19mm

Weight/Pcs.
500 (Grams)

Depth
15mm

Pcs./Box
02



AQLU
CERAMIC

Pcs./Sq.ft. (Approx)	Weight/Box	Sq.ft./Box	Master Box Weight
05/01.04	800 (Grams)	08.4	16.5 (Kg.)



Colour
Pallets



Light
Weight



Hand-
made



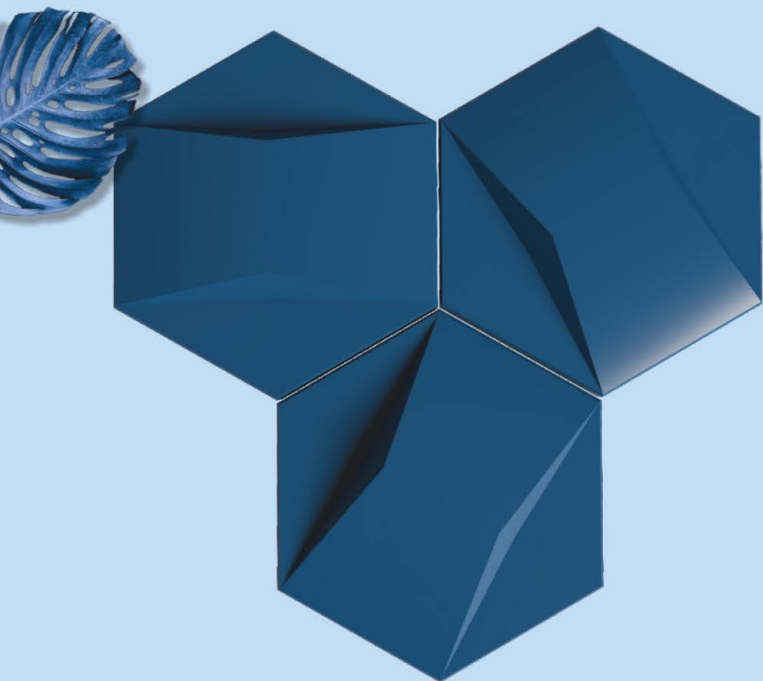
Eco
Friendly



Temperature
Resists

SUPERIOR
SIMPLICITY





DAMROO

Decorative
Wall Panel

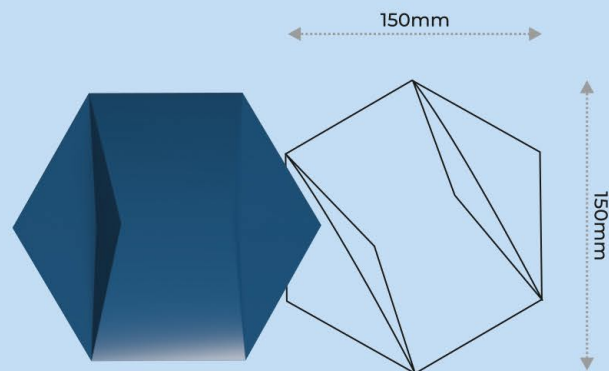
Size
150x150mm

Thickness
20mm

Weight/Pcs.
400 (Grams)

Depth
13mm

Pcs./Box
02



AQLU
CERAMIC

Pcs./Sq.ft. (Approx)	Weight/Box	Sq.ft./Box	Master Box Weight
05/01.04	800 (Grams)	08.4	16.5 (Kg.)



Colour
Palettes



Light
Weight



Hand-
made



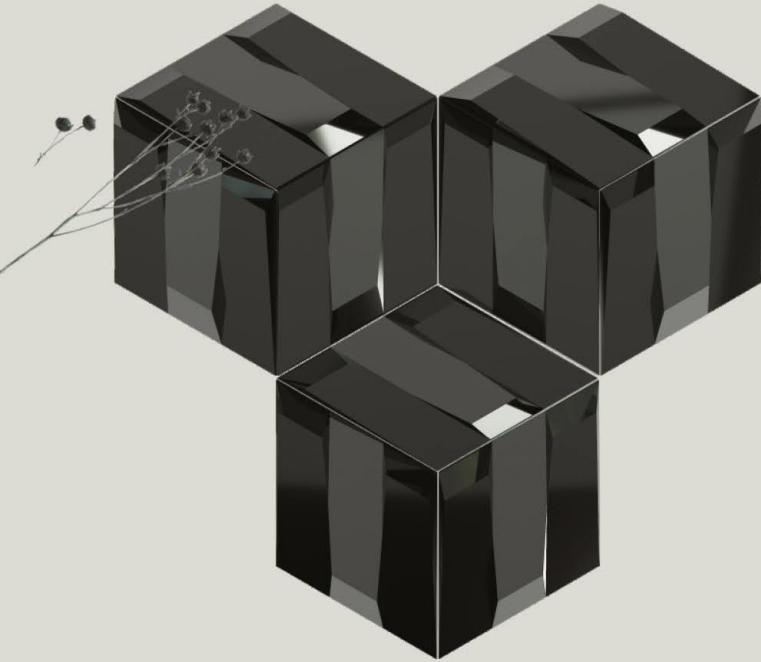
Eco
Friendly



Temperature
Resists

MAJESTICALLY
SUPERIOR





ASCEND

Decorative
Wall Panel

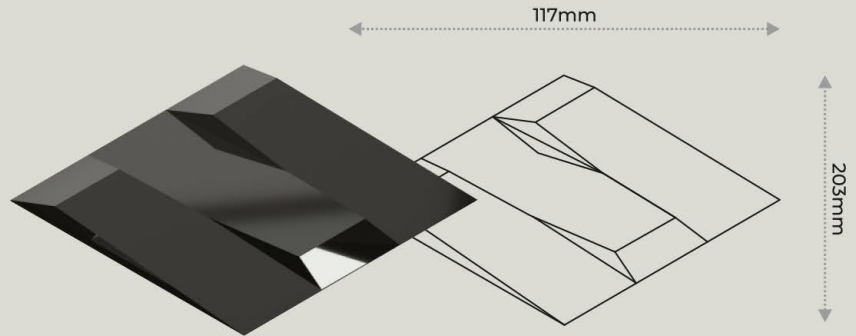
Size
117x203mm

Thickness
20.6mm

Weight/Pcs.
265 (Grams)

Depth
13.6mm

Pcs./Box
02



AQLU
CERAMIC

Pcs./Sq.ft. (Approx)	Weight/Box	Sq.ft./Box	Master Box Weight
08/01	530 (Grams)	08.25	18.5 (Kg.)



Colour
Palettes



Light
Weight



Hand-
made

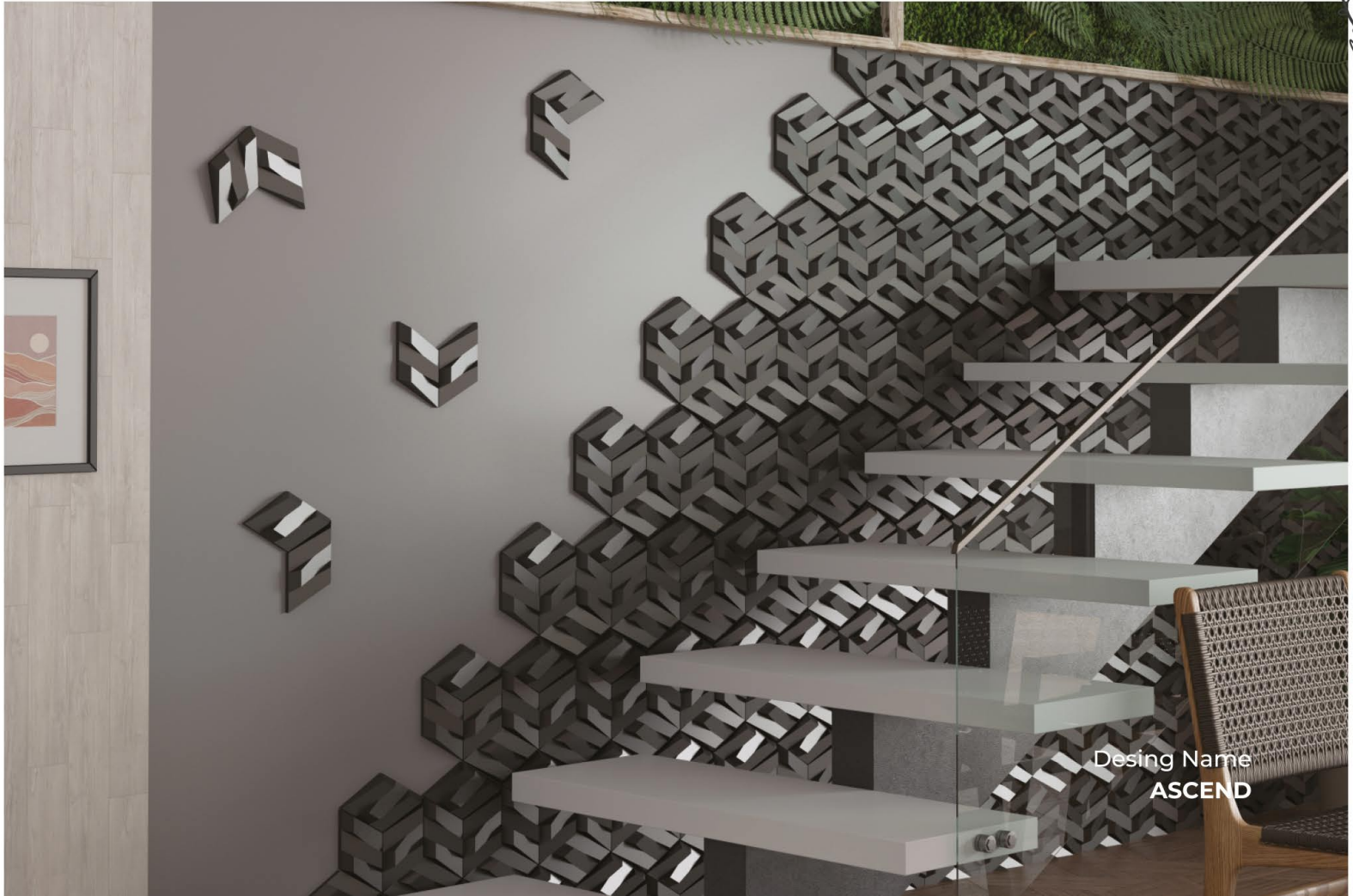


Eco
Friendly

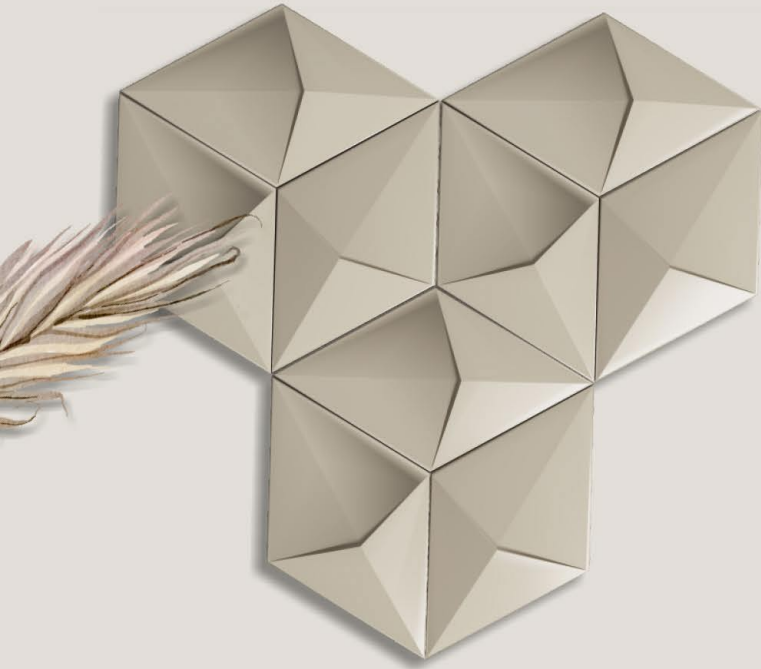


Temperature
Resists

MAGNIFICENT
STYLE



Design Name
ASCEND



KITES

Decorative
Wall Panel

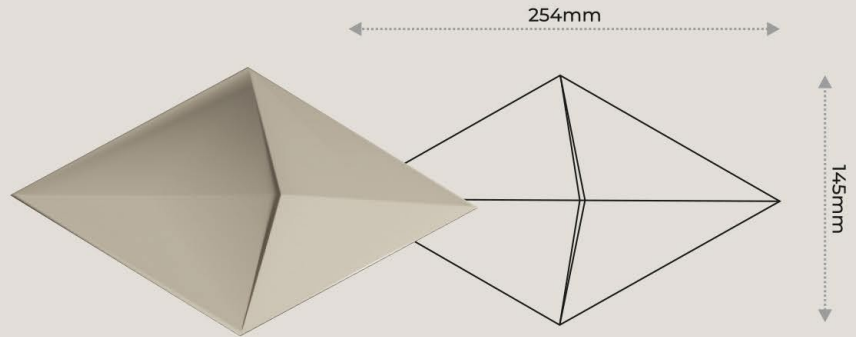
Size
254x145mm

Thickness
24.5mm

Weight/Pcs.
345 (Grams)

Depth
17.5mm

Pcs./Box
02



AQLU
CERAMIC

Pcs./Sq.ft. (Approx)	Weight/Box	Sq.ft./Box	Master Box Weight
05/01	690 (Grams)	05.88	10.6 (Kg.)



Colour
Pallets



Light
Weight



Hand-
made



Eco
Friendly



Temperature
Resists

SPECTACULAR
DESIGNS



Cookie Encounter



Desing Name
KITES



ASCOT

Decorative
Wall Panel

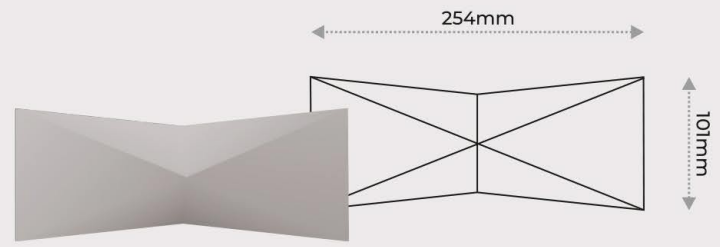
Size
254x101mm

Thickness
24mm

Depth
17mm

Weight/Pcs.
460 (Grams)

Pcs./Box
02



Pcs./Sq.ft. (Approx)	Weight/Box	Sq.ft./Box	Master Box Weight
05/01.17	920 (Grams)	08.46	17 (Kg.)



Colour
Pallets



Light
Weight



Hand-
made



Eco
Friendly



Temperature
Resists

ENDLESS
BEAUTY



Design Name
ASCOT



RARE SQUARE

Decorative
Wall Panel

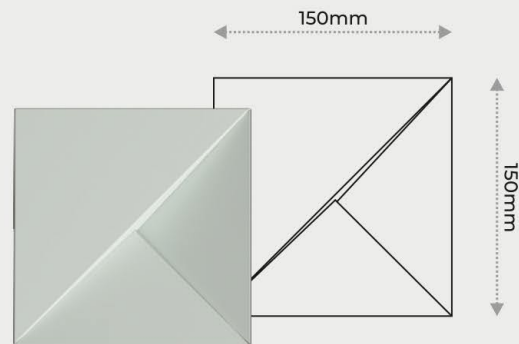
Size
150x150mm

Thickness
11mm

Weight/Pcs.
650 (Grams)

Depth
11mm

Pcs./Box
02



AQLU
CERAMIC

Pcs./Sq.ft. (Approx)	Weight/Box	Sq.ft./Box	Master Box Weight
04/01	1300 (Grams)	10	26 (Kg.)



Colour
Palettes



Light
Weight



Hand-
made



Eco
Friendly

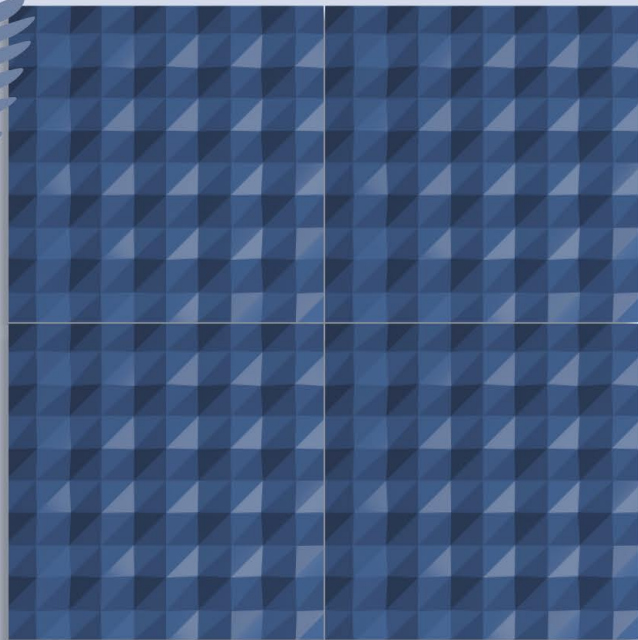


Temperature
Resists

EXCLUSIVE
SURFACES



Desing Name
RARE SQUARE



JADE SQUARE

Decorative
Wall Panel

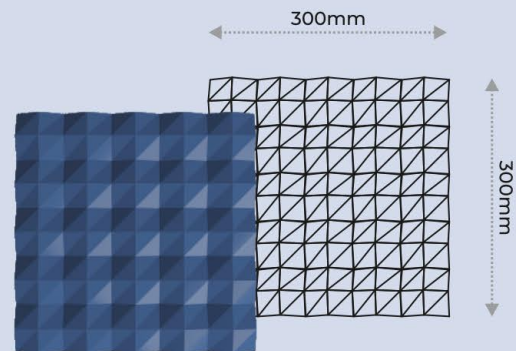
Size
300x300mm

Thickness
20mm

Weight/Pcs.
2.200 (Kg.)

Depth
15mm

Pcs./Box
05



AQLU
CERAMIC

Pcs./Sq.ft. (Approx)	Weight/Box	Sq.ft./Box	Master Box Weight
1/0.969	11 (Kg.)	9.69	22 (Kg.)



Colour
Palettes



Light
Weight



Hand-
made



Eco
Friendly



Temperature
Resists

SUPERIOR
DESIGN

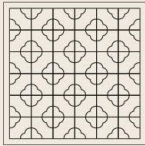



JADE BLUE

Desing Name
JADE SQAURE

FITTING DETAILS

USE FOR PLYWOOD



A supportive material that make all thing stay together very longer period of time



Highly effective in door assembly process that reduce time & make installation easy.



Making easy for fitting window at relevant space

USE FOR CEMENT



Eco friendly



Easy and lightweight for spreading



Highly adaptable



Stress resistant



A very fast bonding



Longer workability in extreme conditions



The best time
company ever



ΔQLU
CERAMIC

+91 9638470770 | +91 7984015714

www.aqluceramica.com

aqlucericllp@gmail.com